

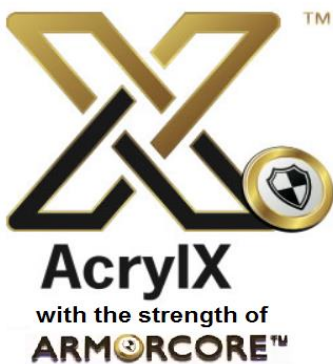


**HARRIMAN**  
**54 x 30 x 78**  
**Zero Threshold Shower**

Drain	Model #
RH	LM5430BF5PR1.0064
LH	LM5430BF5PL1.0064

## Features

- Barrier free, easy entry, wheelchair accessible threshold.
- Patented, pre-leveled base with steel rod & ArmorCore reinforcement, safety finish floor, easy installation (no mortar required) reduces installation costs.
- Includes collapsible dam with end caps, stainless steel curtain rod, weighted shower curtain, chrome plated brass drain, and 3 integral shelves.
- Simple, easy 5 piece installation from front or rear
- Accommodates a shower door
- Walls are fully wrapped with wood & metal rod inserts for maximum reinforcement, adding extra strength for any future accessory installation.
- Premium, durable applied acrylic/fiberglass construction
- Attractive and easy to clean
- Meets or exceeds UPC, IPC, ANSI Z124.1, NAHB, & SBC
- Made in the USA with a lifetime limited warranty

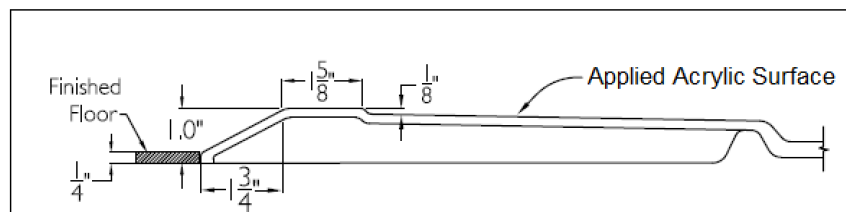


## ARMORCORE

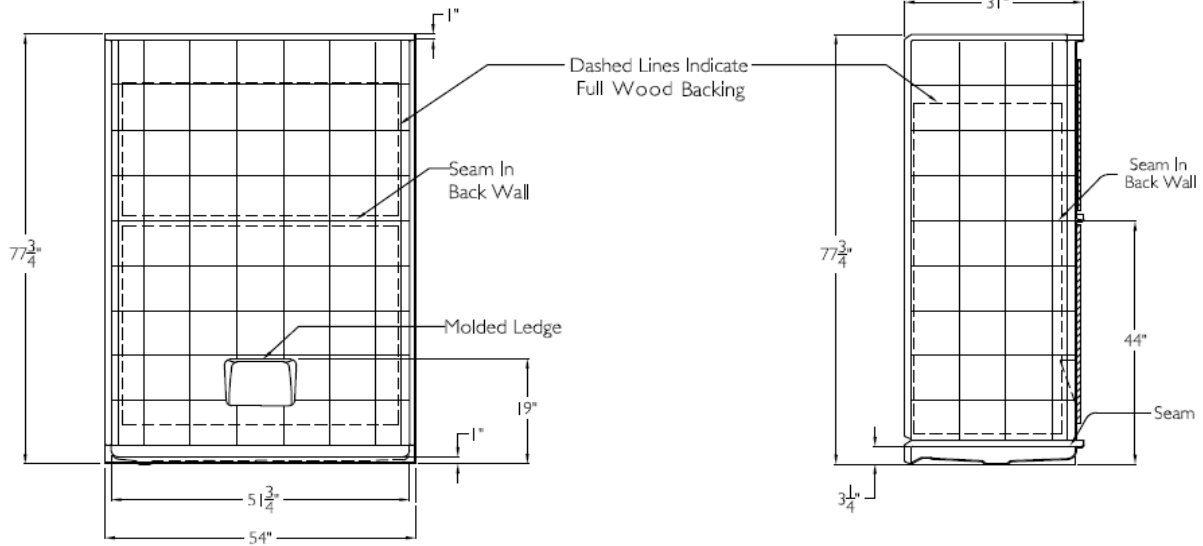
Tested to IAPMO standards to withstand more than **6X** the standard pressure without failure



## CROSS SECTION OF THRESHOLD



FRONT VIEW SUBMITTAL DATA SIDE VIEW



5Piece Sectional BF Shower

The sectional shower shall be model LM 5430 BF 5 Piece left drain. Finished surface shall be of a sanitary grade applied Acrylic, exhibiting a minimal thickness of 15 dry mills, and a finished cured Barcoal hardness of 80-90 as tested with ASTM D-2583. Unit construction shall be of molded reinforced fiberglass with a minimum 15% fiberglass content.

Unit has outside dimensions of : 54" x 31" x 77 3/4".

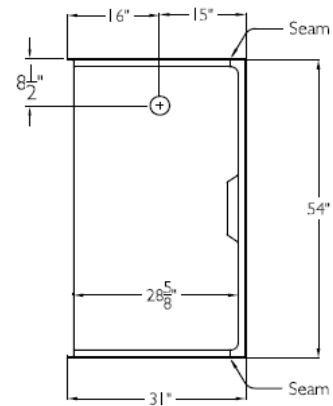
The five piece shower shall meet: CSA B45.5, IAPMOZ124, HUD, FHA, Home Innovation Research Lab, and shall meet the requirements of the Southern Building Code.

The enclosure shall be equipped with the following installed accessories:

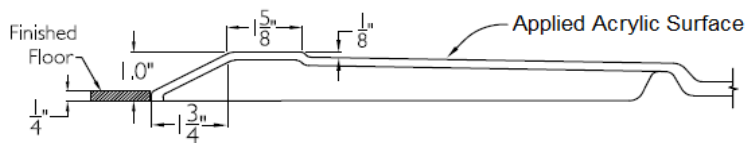
- 1) Tile finish on walls,
- 2) Full wood backing on walls,
- 3) 5 Piece sectional design,
- 4) Molded soap ledge low on the back wall,
- 5) Seam in the back wall,
- 6) Right or Left hand drain location,
- 7) Brass drain fitting,
- 8) Collapsible water retainer with end caps,
- 9) 1.0" threshold,
- 10) Stainless steel curtain rod with receiver cups,
- 11) Weighted shower curtain.

NOTE: UNIT SHIPPED UN-ASSEMBLED, (FIELD ASSEMBLY BY OTHERS),

TOP VIEW



CROSS SECTION OF THRESHOLD



DUE TO THE NATURE OF THE MATERIALS DIMENSIONS MAY VARY + - 1/2 INCH.

LAUREL MOUNTAIN

Drawing #: LM 5430 BF 5P 1.0"

Date: 11-1-0-15

Revised: 1-18-19

Harriman

LAUREL MOUNTAIN

26 Nesbitt Road Suite 257 New Castle, Pa. 16105  
 Phone: 1 800 930 0050 Fax: 1 800 930 0051 Email: sales@lmbath.com